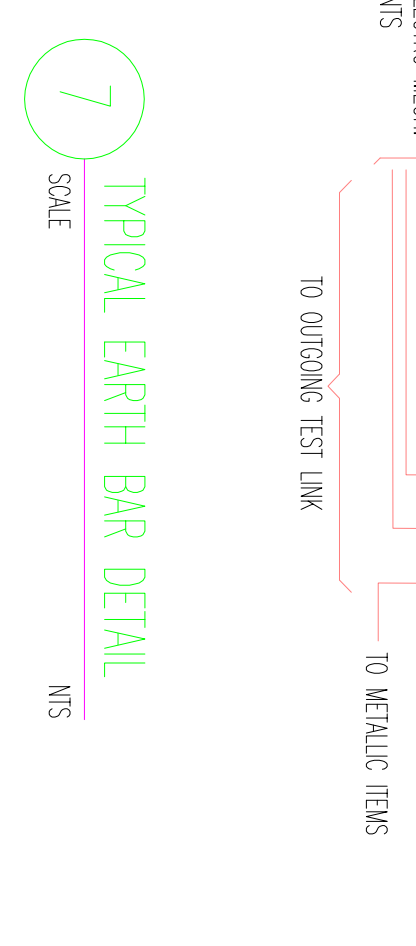
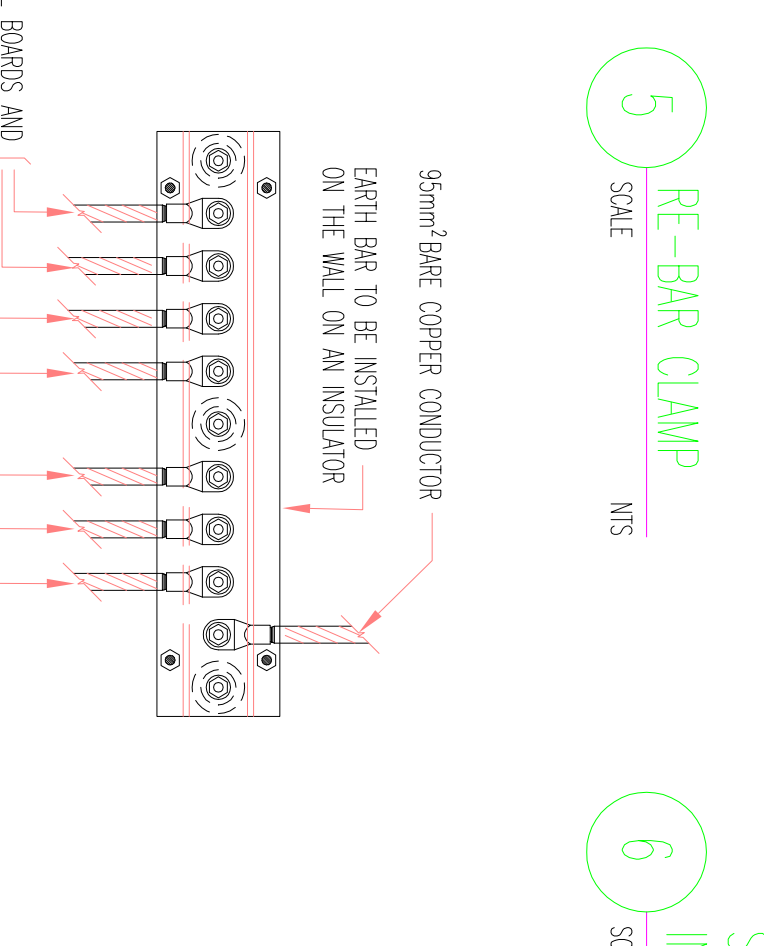
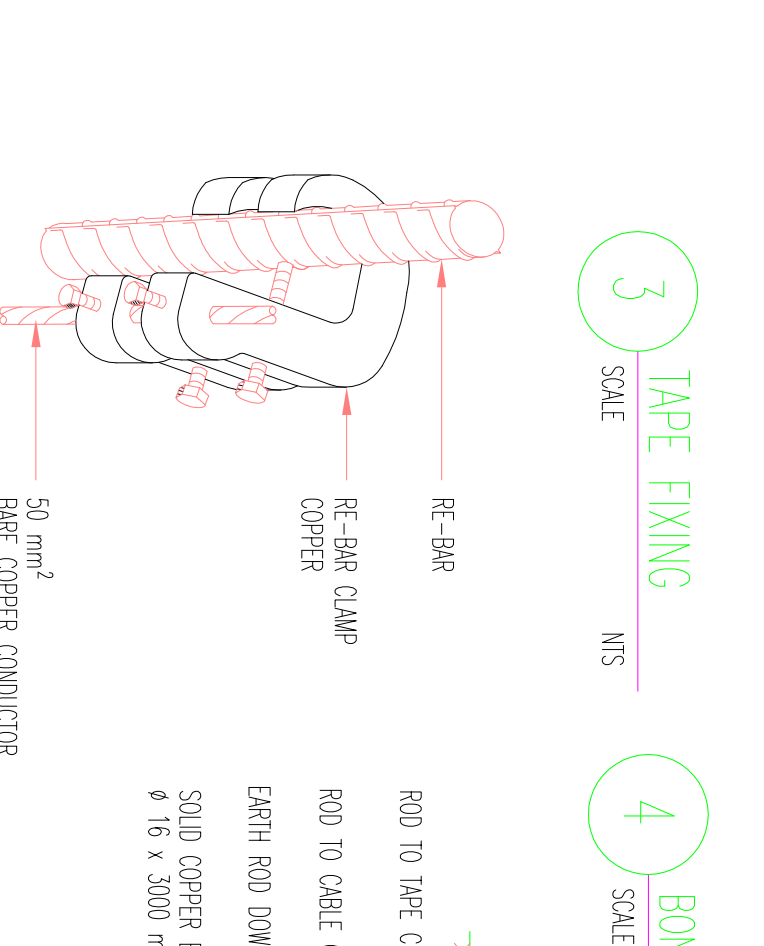
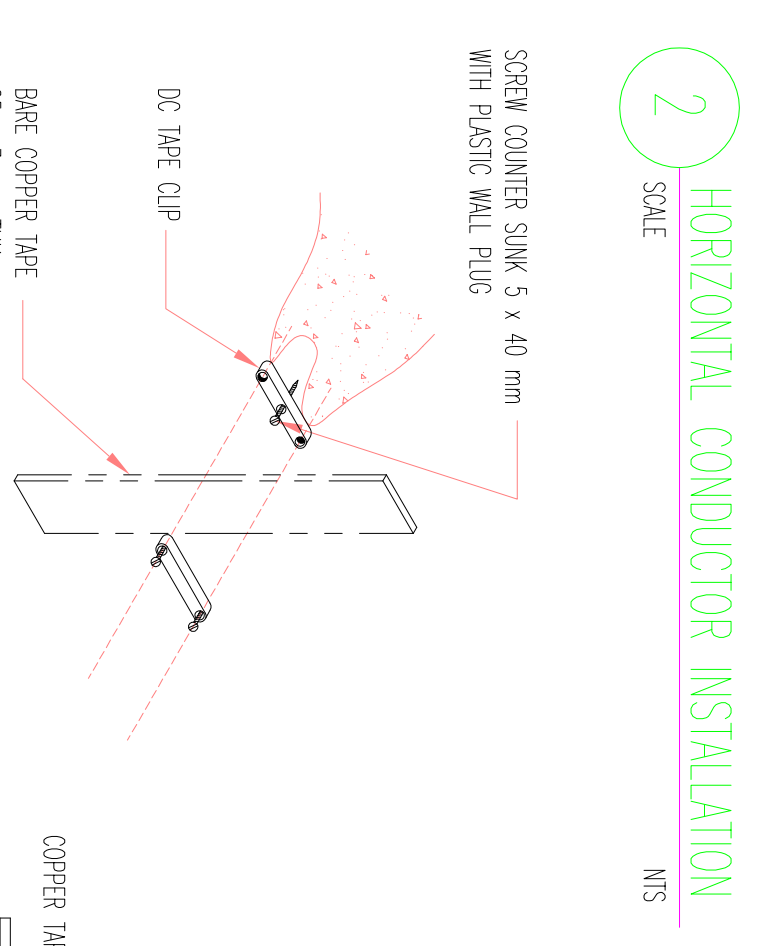
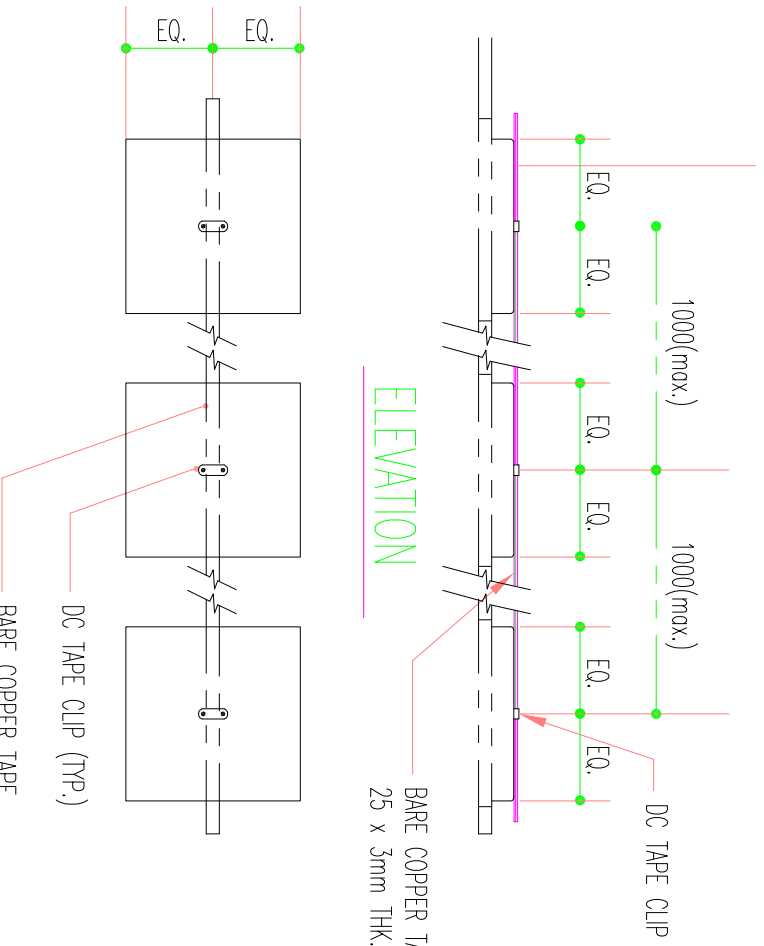
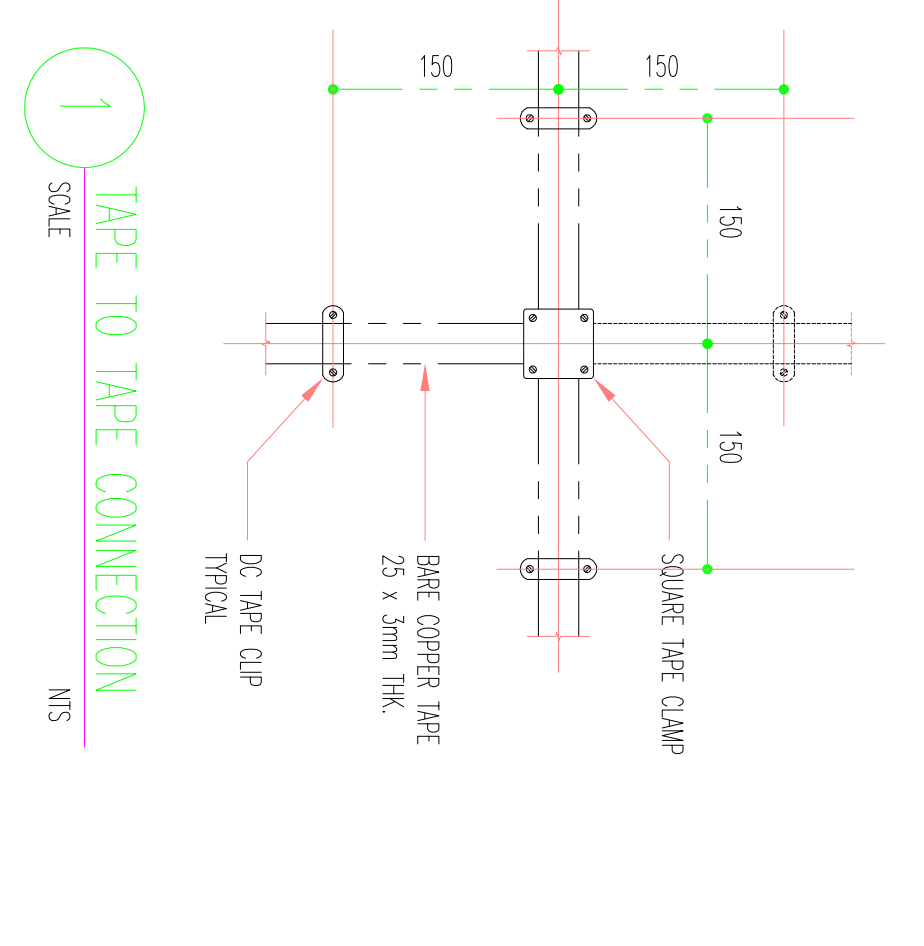
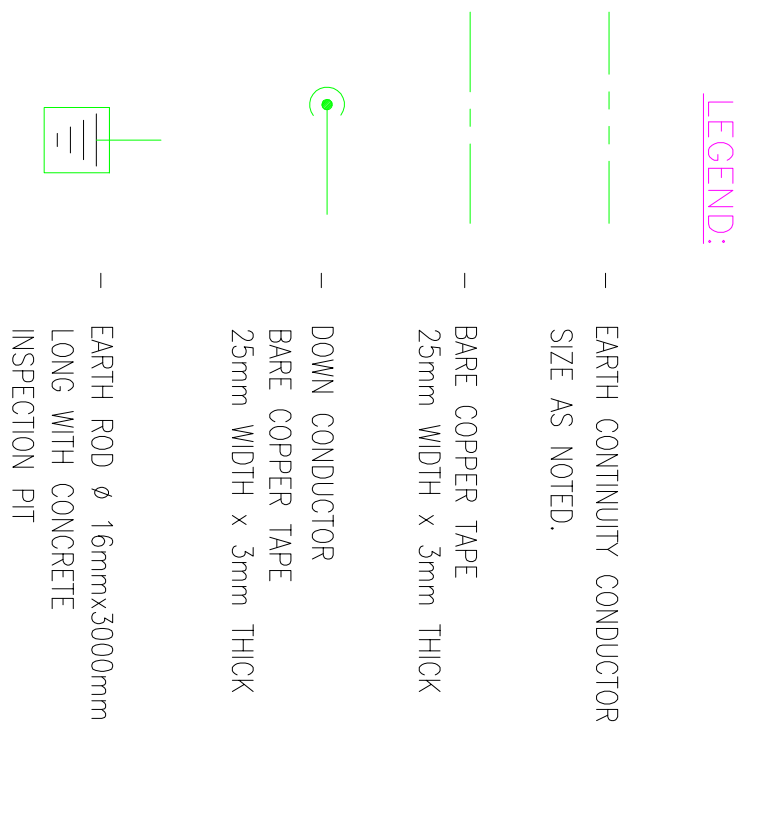


**1 ROOF PLAN PART-1**

MATCH LINE CONTINUATION SHEET No. MH-E-82

- NOTES/REMARKS:**
1. ROOF TOP CONDUCTORS SHALL BE FIXED AT EVERY 1.5M INTERVALS BY DC TAPE CLIPS.
  2. ALL ROOF MOUNTED EQUIPMENT SHALL BE BONDED TO THE LIGHTNING PROTECTION SYSTEM.
  3. ALL PIPE WORKS, CABLE TRAY WORKS AND OTHER METALLIC PARTS INSTALLED ON ROOF SHALL BE BONDED TO THE LIGHTNING PROTECTION SYSTEM.
  4. EARTH CONTINUITY CONDUCTOR SHALL BE LAID AT MINIMUM 60mm BELOW SKYDOLLS.
  5. ALL INSULATION CONDUCTOR JOINTS SHALL BE BONDED TO THE LIGHTNING PROTECTION SYSTEM.
  6. ALL METAL WORKS SHALL BE EARTHED.



**6 SOLID COPPER EARTH ROD AND CONCRETE INSPECTION PIT FOR PAVED OR UNPAVED AREAS**  
SCALE: NS

<b>PROJECT:</b>		<b>OSMETRICS AND GYNECOLOGY HOSPITAL 200 BED - A&amp;AR MAIN HOSPITAL</b>	
<b>BUILDING NAME:</b>		<b>OSMETRICS AND GYNECOLOGY HOSPITAL 200 BED - A&amp;AR MAIN HOSPITAL</b>	
<b>TITLE:</b>	<b>DATE:</b>	<b>SCALE:</b>	<b>PROJECT NO.:</b>
<b>LIGHTNING PROTECTION AND EARTHING LAYOUT (PART-1)</b>	11/100	NS	MS-007-2023
<b>DESIGNER:</b>	<b>CHECKER:</b>	<b>DATE:</b>	<b>PROJECT NO.:</b>
MS	MS	11/100	MS-007-2023
<b>DESIGN NO.:</b>	<b>DATE:</b>	<b>SCALE:</b>	<b>PROJECT NO.:</b>
MS-007-2023	11/100	NS	MS-007-2023
<b>PROJECT NO.:</b>	<b>DATE:</b>	<b>SCALE:</b>	<b>PROJECT NO.:</b>
MS-007-2023	11/100	NS	MS-007-2023